



Omni-ID® Solo

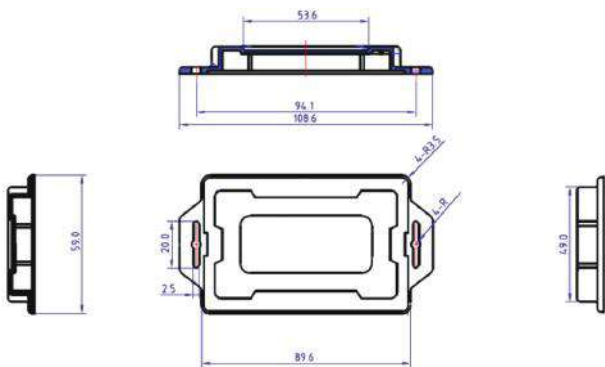
The Omni-ID® Solo is a special purpose passive RFID tag that delivers high-end performance in a low-cost, durable encasement for customers who require real-time, supply chain visibility of assets. Intended for single use, the Solo is ideal for rental or pooled assets likely to be processed many times throughout their lifespan that are exposed to harsh indoor or outdoor environmental conditions. The Solo is available as a regionally-tuned tag with a read range of up to 15m.

Target Applications

Omni-ID Solo tags were specifically designed for the oil & gas industry and are ideally suited for track and trace of metallic and non-metallic assets through the supply chain, including:

- ▶ Iso Containers
- ▶ Metal Baskets
- ▶ Lifting Frames
- ▶ Pipe Racks

Dimensions



Product Specifications

| | Solo |
|------------------------------------|--|
| Encasement | High Impact PolyStyrene |
| Read Range – On Metal ¹ | Up to 15.0 |
| On Metal or Balanced | Balanced |
| Size (mm) | 108 x 59 x 12.5 |
| Size (in) | 4.25 x 2.32 x .49 |
| Weight (g) | 36.8 |
| Frequency Range (MHz) | 866-868 (EU) 902-928 (US) |
| IC Type (chip) | Alien Higgs 3 |
| User Memory (bits) | 512 |
| Operating Temperature ² | -20 to +65 °C |
| IP Rating | IP65 |
| Shock and Vibration ² | MIL STD 810-F |
| Color | Cool Grey 8c or Orange 021-C |
| Attachment | Mechanical and Foam adhesive Avery FM2333 (2 x 47x13mm strips) |
| Order Number | 029 - US 029 - EU |

1. Quoted performance achieved using standard Omni-ID test methodology. Details available upon request.
 2. Product designed to meet MIL STD 810-F 60068-2. Please contact Omni-ID for further details.



Identify with innovation

Visit www.omni-id.com to learn more about
the complete line of Omni-ID RFID products.

Draft Product Specification — Commercial in Confidence

Omni-ID® Solo

Contact Information

For more information, contact:

Omni-ID Corporate Headquarters:

1200 Ridgeway Ave
Rochester, NY 14615 USA

European Office:

The Enterprise Centre
Coxbridge Business Park
Alton Road, Farnham, Surrey
GU10 5EH, United Kingdom

For product or technology inquiries:

Email customer.services@omni-id.com

Visit Omni-ID – The Leader in Passive RFID Tags for Asset Tracking

DS0007-C – Draft Product Specification

©2011 Omni-ID Cayman, Ltd. All rights reserved. Omni-ID, the Omni-ID logo, Identify with Innovation, Omni-ID Ultra, Omni-ID Flex, Omni-ID Max, and Omni-ID Prox are trademarks or registered trademarks of Omni-ID Cayman, Ltd. or its subsidiaries in the United States, United Kingdom and other countries. Other names and brands may be claimed as the property of others. Information regarding third party products is provided solely for educational purposes. Omni-ID Cayman, Ltd. or its subsidiaries are not responsible for the performance or support of third party products and does not make any representations or warranties whatsoever regarding quality, reliability, functionality, or compatibility of these devices or products.